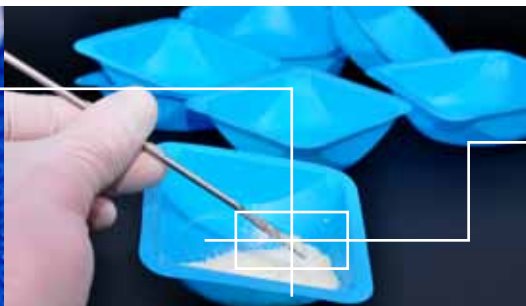


# TECHNICAL DATA

# INSIGHT PH VF

IN PURSUIT OF PURITY...



Analyse  
Detect  
Report



DDS (Direct Digital Signal)

- Throughput up to 3.000 KG per hour
- Best in class sensitivity to magnetic and non magnetic metals
- Stable to extreme vibration and product signal
- Menu with multi language options
- User friendly operation with auto-learn and automatic product tracking features
- Early removal of metal contaminants for machinery protection
- Sealed valve or cowbell reject mechanisms available
- Standard external USB
- Available with wired or wireless ethernet and SCADA capability
- Full validation document and certification including IQ, OQ, PQ
- Stainless steel construction sealed to Nema 4X/IP66

The INSIGHT PH VF range of pharmaceutical vertical fall metal detectors represents a significant advance in metal detection technology.

Metal detection and signal processing take place in the compact INTEGRATED DIGITAL SEARCH HEAD. Sophisticated OPTIX detector management software uses Lock's unique DDS (Direct Digital Signal) vector diagram to generate the detailed product profile needed to achieve perfect product set-ups. This guarantees detection and rejection of metal fragments at throughputs of up to 3.000 KG per hour while achieving stable operation and market leading sensitivities to all metals.

The quality of finished product can only be guaranteed if incoming and in-process materials are effectively screened to remove all unwanted metallic particles. Vertical Fall metal detectors are recommended to inspect incoming raw materials in free-falling powder or granular form and to inspect formulations prior to tableting or encapsulation.

# LOCK

EARNING CUSTOMER CONFIDENCE

INSPECTION SYSTEMS

# TECHNICAL DATA

# INSIGHT PH VF

IN PURSUIT OF PURITY...



## Automatic Setup

Conductive products such as powders or granules containing iron require careful set-up if optimum sensitivity is to be achieved in conjunction with high productivity. The INSIGHT PH VF will automatically set-up and store 200 different presets.

## Integrated Digital Search Head

- Metal detection, control and signal-processing all take place within the ultra compact detector head, constructed from mirror polished stainless steel and sealed to IP66/ NEMA 4X
- Throughput of up to 3.000 KG per hour
- Automatic balance control for adjustment-free operation
- User-replaceable electronic module for minimum downtime

## Reject Systems

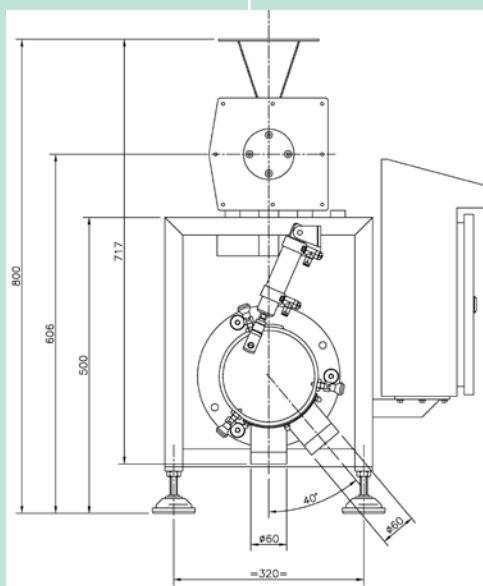
- Mirror-polished stainless steel grade 316 sealed valve that can be dismantled by hand without the use of tools
- Cowbell type diverter reject (not suitable for API's)
- Sealed valve reject systems are completely dust tight
- Reject systems offer easily accessible contact points for complete cleaning to avoid cross contamination between products
- Fail safe operating mode ensures that contaminated product is not accepted in the event of pneumatical, electrical or mechanical failure

## Calibration Sensitivities:

Head Size	Ferrous	Brass	Stst316
95 x 22mm	0.25mm	0.3mm	0.4mm
95 x 38mm	0.3mm	0.35mm	0.5mm

## OPTIX Detector Management Software

- OPTIX is a powerful diagnostic and problem solving tool for Engineers and Operators - OPTIX data can be emailed or faxed to facilitate immediate technical support from Lock where necessary
- User friendly membrane with multi language option. DDS (Direct Digital Signal) vector diagram, represents what's happening during the metal detection process and aids perfect product set up
- Multiple set-up memory with the capacity for 200 presets
- Permanent memory stores up to 8000 data events, which are retained when power is interrupted or disconnected
- Automatic TEST SAMPLE prompt



## Security codes

Four password protected security levels are provided:

- L1: Operator level to change product types.
- L2: Supervisor level to change set-up mode.
- L3: Engineering level to access factory set-up parameters.
- L4: Administration level to enable multi-user ID/Password system

## Communications

Every INSIGHT PH VF metal detector is available with wired or wireless ethernet connectivity and SCADA capability. The external USB port allows all events and product presets to be downloaded onto a standard memory stick or PC to enable secure storage and distribution of quality records in PDF or other formats.

## Validation

The INSIGHT PH VF design and applicable components are compliant with current GMP requirements. Full validation documentation can be supplied with each system incorporating IQ, OQ, PQ, calibration and certification.

## Outputs

- Voltage-free relay contacts. Rating 240V, 3A resistive

## Power Supply

- Universal power supply 88-264V AC 47-63 Hz

## Operating Temperature/humidity

- Temperature: -10° to 40°C/14° to 104°F
- Humidity: 0 - 95% Relative humidity (non-condensing)

### Lock Inspection Systems Ltd

Summit Ave, Southwood, Farnborough GU14 0NY, UK  
Tel: +44 (0) 1252 893300 Fax: +44 (0) 1252 513322  
Email: sales@lockinspection.co.uk

### Lock Inspection Systèmes S.A.R.L.

Parc Silic, Bâtiment H, 12 avenue de Québec, Silic 620, Villebon, 91945 Courtaboeuf Cx, France  
Tel: +33 (0) 169591620 Fax: +33 (0) 1 69 59 16 21  
Email: sales@lockinspection.fr

### Lock Inspection Systems Inc

207 Authority Drive, Fitchburg, MA 01420-6094, USA  
Tel: +1 (0) 978 343 3716 / 800 227 5539  
Fax: +1 (0) 978 343 6278  
Email: sales@lockinspection.com

### Lock Inspection Systems BV

Daalderweg 17, 4879 AX Etten-Leur, Nederland  
Tel: +31 (0) 76 50 30 212 Fax: +31 (0) 76 50 89 800  
Email: sales@lockbv.nl

### Lock Inspection Systems (China Office)

Room 101, Block E  
No.168 Luoyang Road, Minhang District Shanghai, Zip-code: 201104, P R China  
Tel: +86 (0) 21 54 307 218 Fax: +86 (0) 21 64 102 395  
Email: sales@lockuk.cn

[www.lockinspection.com](http://www.lockinspection.com)



# LOCK